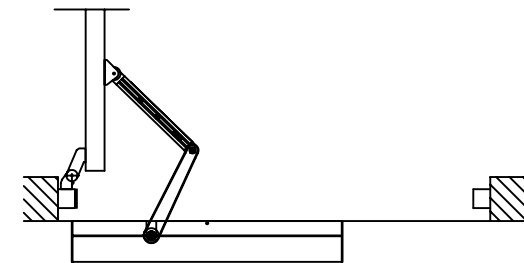
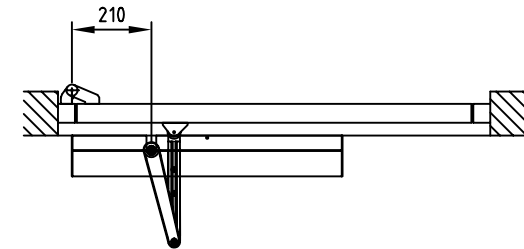
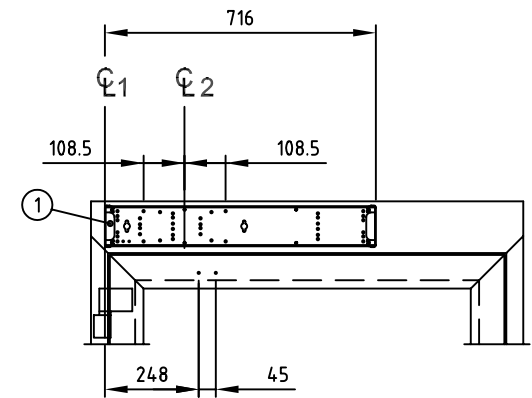


- CL1 Hinges
- CL2 Operator drive shaft
- A Reveal max. 130mm
Optional max. 400mm
- 1 Cable inlet
- 2 Reinforcements required in door leaf and at fixing holes



Customer:

EntreMatic ref:

Door id:

Date:

Project No:

Sign:

EMSW
Arm system Push

Swing door operator

ENTRE MATIC

E

173677