

ABLOY® CAM LOCKS

Expertise at your service



The unique **ABLOY®** cylinder construction offers reliable operation and ease of use in the most demanding applications.



ABLOY® EXPERTISE AT YOUR SERVICE

ABLOY® cam locks have been developed to meet the highest levels of security in the field of equipment locking. Our extensive range consists of both standard products and a wide selection of customised products.

The superior benefits offered by ABLOY® cam locks make them ideally suited to the most demanding, high security applications where valuables are located either behind small doors or in enclosures, e.g. vending machines, cash dispensers, gaming machines, parking meters, pay phones, coin-operated laundry machines etc.

Our long experience in high security products and our high levels of expertise guarantee you the best possible choice for your particular application.



HIGH-SECURITY PERFECTION

The unique **ABLOY®** cylinder construction, patented cylinders, strict key control and extensive masterkeying capabilities make **ABLOY®** cam locks ideally suited for the most demanding applications.

Unique construction

Based on a unique operating principle which employs rotating detainer discs, **ABLOY®** cam locks offer advantages that other locking systems cannot achieve.

Masterkeying capabilities

The several million different key combinations available mean that the **ABLOY®** cylinder offers extensive masterkeying possibilities. All **ABLOY®** cylinder products can be made to operate with just a single key.

User-friendly

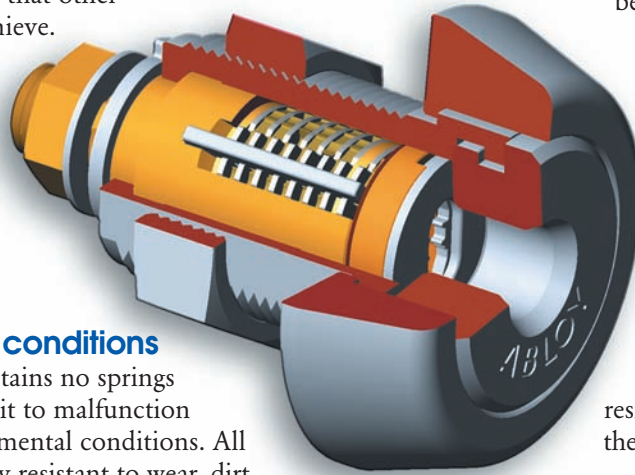
The disc control system and symmetrical key make **ABLOY®** cam locks easy to operate.

Physical strength

ABLOY® cam locks combine excellence in design with the very latest engineering and production technology. Additional resistance to physical attacks is ensured by the use of case-hardened steel components.

Resistance to harsh conditions

The **ABLOY®** cylinder contains no springs or pins which could cause it to malfunction in a wide range of environmental conditions. All the components are highly resistant to wear, dirt, moisture, corrosion or freezing conditions.



Virtually pickproof

Only the correct key can align the gates on all the discs and permit the locking bar to disengage the cylinder from the housing.

The **ABLOY®** PROTEC cylinder employs a new, patented disc blocking system (DBS) which makes it impossible to manipulate the cylinder so that it opens without the correct key.

PATENTED CYLINDER TECHNOLOGIES

These patented **ABLOY®** cylinders feature symmetrical keys and disc steering system that provides smooth, reliable operation. Both **ABLOY®** EXEC and **ABLOY®** PROTEC have specialized features which make them ideally suited for particular applications.



ABLOY® EXEC

- Nickel-silver key with heavy-duty polymer key dowel
- Patented key, key blank and cylinder construction
- Particularly suitable for industrial locking systems
- Exceptional picking and environmental resistance



ABLOY® PROTEC

- All metal key
- Patented key, key blank and cylinder construction
- Disc blocking system (DBS)
- Can be masterkeyed with door-lock cylinders
- Extensive range of **ABLOY®** industrial locks available

KEY SECURITY

To guarantee maximum customer security **ABLOY®** cylinder system offers a variety of key profiles and patented key security levels with a factory-controlled key service.

Customer level

Exclusive keyways for applications where the highest level of key security is required.

Factory level

The supply of keys is controlled by either the **ABLOY®** factory or an **ABLOY®** sales office

Authorised **ABLOY®** dealer level

Keys are supplied by an **ABLOY®** authorised security centre under contract.

CUSTOMISED PERFECTION

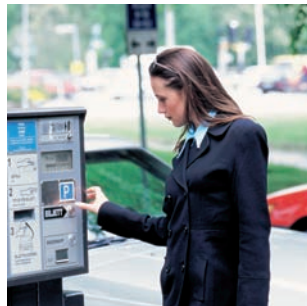


Decades of experience in creating locking solutions for the most demanding applications has given us a clear understanding of the need for customisation in design, operation and levels of security.

Working in close co-operation with our customers, we are dedicated to the search for no-compromise solutions which are a perfect match for your application. Your operational

environment and functional requirements form the basis for a design process which ensures that the solutions developed will be easy to use and add significant value to your equipment.

All **ABLOY**® locks are designed and produced using the latest manufacturing technology, guaranteeing high quality, rapid response and reliable delivery.



PROTECTION IN EVERY FIELD

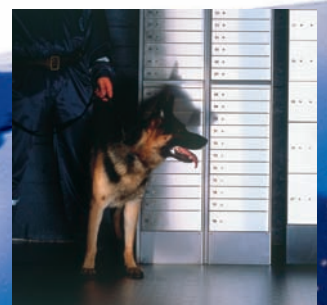


The extensive range of **ABLOY®** cam locks includes locks in a variety of sizes, which feature different modes of operation, making them ideally suited to a wide range of applications. We offer cam locks to fit almost any size, thickness or type of metal or wooden doors in universal and US dimensional specifications.

WORLDWIDE REFERENCES

The most demanding security institutions and industries have trusted **ABLOY®** locks since 1907. Thousands of manufacturers in numerous countries have chosen **ABLOY®** locks to secure their high-quality products, such as

- vending machines
- parking meters
- safe deposits
- gaming machines
- museum showcases
- mobile phone base stations
- transport containers
- switch cabinets
- rifles
- pay phones



THE RIGHT PRODUCT FOR EVERY APPLICATION

Model		Cam turns: key removable		Material of cylinder housing	Number of discs	Left hand operation possible	Cylinder type *)			
Dimensions	Product numbers	90° /180° In locked position only	360° In locked and unlocked pos.				C	P	E	D
UNIVERSAL RANGE		CL100 (3275C) CL101 (3276C)	●	●	brass brass	11 11	●	●	●	●
		CL103 (3277C, 3507D) CL106 (3278C)	●	●	brass brass	11 11	●	●	●	●
		CL104 (3273C, 3504D) CL105 (3243C, 3505D) CL107 (3274C)	● ●	●	brass steel brass	9 9 9	● ●	● ● ●	● ● ●	● ● ●
		CL108 CL109	● ●		brass brass	7 7	● ●	●		●
		CL110	●		steel	9	●		●	●
US RANGE		CL200 (3373C, 3506D) CL201 (3503D)	● ●		brass steel	9 9	● ●	● ●	● ●	● ●
		CL202 (3377C)	●		brass	11	●	●		●
		CL203 (3375C)	●		brass	11	●	●		●
		CL204 CL205 (3343C)	● ●		steel steel	9 9	● ●	●		●

= UL listed products

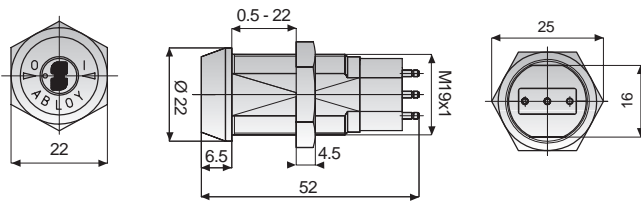
= Patented cylinder systems

*) C = ABLOY® CLASSIC
P = ABLOY® PROFILE

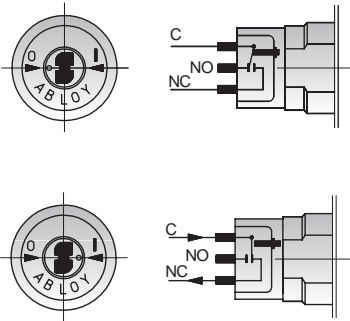
D = ABLOY® DISKLOCK PRO
E = ABLOY® EXEC
N = ABLOY® PROTEC

ABLOY® KEY OPERATED SWITCH LOCKS EP400, EP401, EP402

Dimensions



Circuit diagram



C = common
NO = normally open
NC = normally closed

ABLOY® switch locks provide key-actuated switching for burglar alarms, control boxes and other high security applications.

The locks are available in three different models:

- EP400: key removable in “on” and “off” positions
- EP401: key removable in “off” position
- EP402: momentary-contact key removable in “off” position

Locks can be fitted on panels from 0.5 mm to 22 mm thick.

Microswitch:

Honeywell 1SX1-H58 for contacting with AMP 0.058 inch (1.47 mm) reseatables

Electrical specifications:

7A, 250 VAC
7A res., 28 VDC
4A ind., 28 VDC

Operational range:

-54° to +120 °C

Cylinder types:

C, P, E, D, N

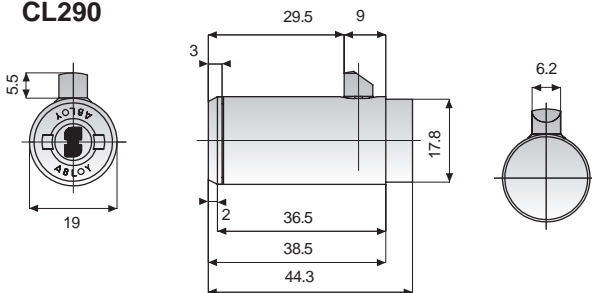
Material and finish:

- Cylinder housing: case-hardened chrome-plated steel
- First and last disc: case-hardened nickel-plated steel
- Hex nut: zinc-plated steel
- Coupling piece and switch mounting plug: molded plastic
- Other parts: brass

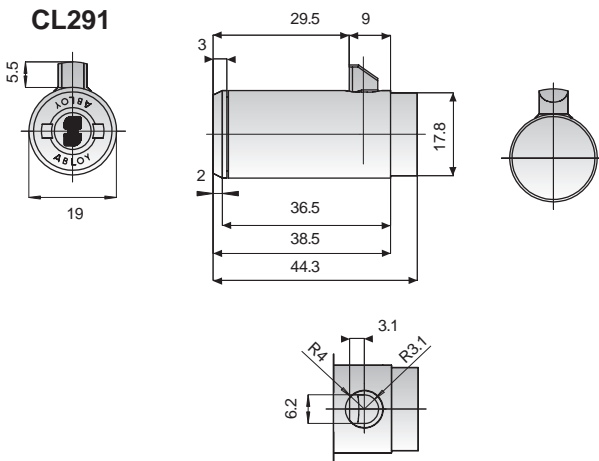
ABLOY® T-HANDLE LOCKS CL290, CL291

Dimensions

CL290



CL291



ABLOY® T-handle locks are ideal for vending machines and other locking handle applications. Steel bolt provides maximum resistance against attack by pulling.

The locks are available in two different models:

- CL290: spring-loaded latch
- CL291: deadlocking latch

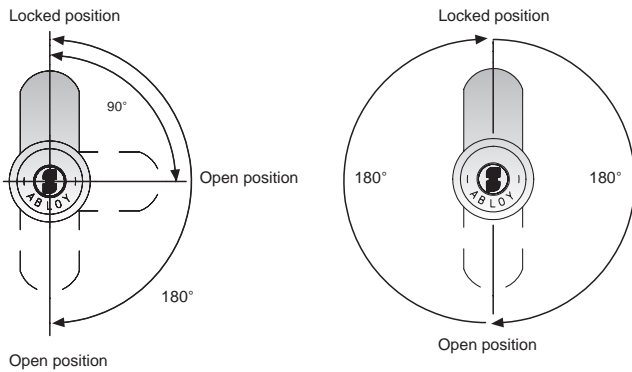
Cylinder types: C, P, E, D, N

Material and finish:

- Cylinder housing: chrome-plated steel
- Cylinder face: case-hardened chrome-plated steel
- Latch: nickel-plated steel

ABLOY® CAM LOCKS IN DETAIL

CAM TURNS



LOCK TYPES

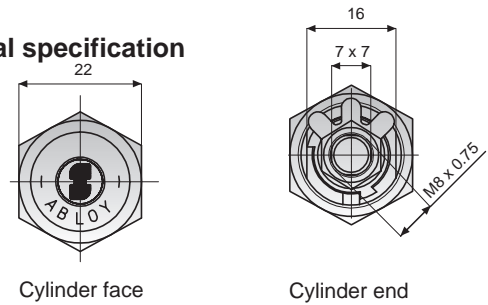
CL100 CL200
 CL103 CL201
 CL104 CL202
 CL105 CL203
 CL108 CL204
 CL109 CL205
 CL110

LOCK TYPES

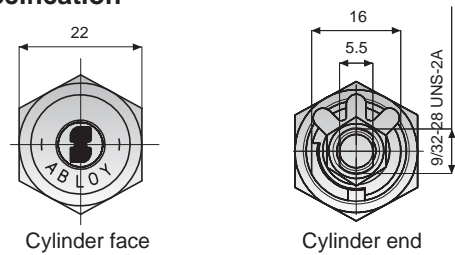
CL101
 CL106
 CL107

UNIVERSAL AND US SPECIFICATIONS

Universal specification



US specification



CONSTRUCTION AND FINISH

Brass cylinder (two vertical marks on cylinder face)



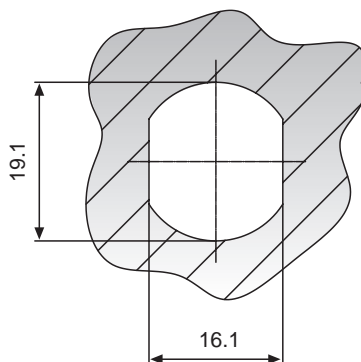
- Detainer discs, cylinder drum and end nut: Brass
- Cam, governor, nut lock washer and hex nut: Zinc-plated steel
- Cylinder housing: Chrome-plated brass

Steel cylinder (two horizontal marks on cylinder face)



- Detainer discs, cylinder drum and end nut: Brass
- Cam, governor, nut lock washer and hex nut: Zinc-plated steel
- Cylinder housing: Case-hardened, chrome-plated steel
- First disc: Nickel-plated, case-hardened steel

DIMENSIONS OF FITTING HOLE



WHEN ORDERING, PLEASE SPECIFY

- Lock type
- Cylinder type
 - C = ABLOY® CLASSIC
 - P = ABLOY® PROFILE
 - D = ABLOY® DISKLOCK PRO
 - E = ABLOY® EXEC
 - N = ABLOY® PROTEC
- Number of keys in ABLOY® EXEC and ABLOY® DISKLOCK PRO (to be ordered separately). In other cylinder types 2 keys/lock included.
- Key profile
- Finish of the cylinder housing, if not standard (chrome)
 - M = brass
 - H = satin chrome
- Cam type, if required (see page 11)
- Cam turn (90°, 180°)
- Fitting plate, if required

ABLOY® – the sign for security



The quality and environmental systems used by Abloy Oy guarantee that customers can be certain of **ABLOY®** quality in every field. We received our first Quality System Certificate - SFS-EN ISO 9001 - in 1989. Just eight years later, Abloy Oy was one of the first companies in Finland to be granted an SFS-EN-ISO 14001 Environmental System Certificate.

Our products are designed and manufactured not only to provide high levels of security, but also to be reliable, user-friendly and aesthetically pleasing. **ABLOY®** is your sign for security.



ABLOY® is a registered trademark of Abloy Oy, one of the leading manufacturers of locks, locking systems and architectural hardware and the world's leading developer of products in the field of electromechanical lock technology.

The unique **ABLOY®** detainer disc cylinder mechanism has several advantages over conventional locking mechanisms. Ever since its invention in 1907, it has been a symbol of high security and superior performance.

Our range consists of electromechanical locks, cam locks, padlocks, office furniture locks, rim locks, lock cases, cylinders for different types of mortice locks, door closers, door automatics and architectural hardware. **ABLOY®** locking solutions for every application are available from our world-wide network of distributors.

Customer-oriented development, combined with our long experience and extensive security expertise, mean that **ABLOY®** security solutions employ the very latest technology to meet your needs.



www.abloy.com

Abloy Oy
Wahlforsinkatu 20
P.O. Box 108
FI-80101 JOENSUU
FINLAND
Tel. +358 20 599 2501
Fax +358 20 599 2209

